

# Dormeyer® Open Frame Solenoids

## Selection – DC Operation

Size	Frame Type	Coil Type <sup>(1)</sup>	Height (inches)	Width (inches)	Length (inches)	Max. Stroke (inches)	Nominal Stroke (inches)	Typical Force (lbs)		Page
								Nominal Stroke and 100% Rated Voltage @ 100% Duty	25% Duty	
B4HD	Box	OM	1.63	1.45	2.18	1.00	0.50	0.8	3.5	G6
B11	Box	OM	1.18	0.94	1.86	0.80	0.40	0.2	1.0	G7
B14	Box	T	1.02	0.79	1.45	0.60	0.20	0.5	1.9	G8
B16	Box	T	0.48	0.39	0.99	0.15	0.05	0.1	0.3	G9
B17	Box	T	0.59	0.51	0.95	0.18	0.05	0.2	0.6	G10
B20	Box	T	0.94	0.81	1.14	0.50	0.25	0.1	0.4	G11
B21	Box	T	1.31	1.31	1.20	0.50	0.25	0.6	2.2	G12
B22	Box	OM	1.47	1.31	1.61	1.00	0.40	0.6	2.2	G13
B27	Box	T	0.94	0.81	1.63	0.40	0.20	0.9	1.5	G1 Addendum
B41	Box	T	2.03	1.73	3.05	1.00	0.50	3.0	11.0	G14
B75	Box	T	1.10	1.00	1.63	0.60	0.20	1.1	3.4	G15
C5	C	T	0.46	0.41	0.94	0.20	0.05	0.7	0.2	G16
C5-L	Latching	T	0.46	0.41	0.94	0.20	0.05	n/a	0.4	G17
C8	C	OM	0.81	0.75	1.13	0.50	0.25	0.05	0.7	G18
C9	C	OM	1.25	1.38	1.06	0.50	0.25	0.3	1.0	G19
C15	C	T	1.00	1.06	1.14	0.50	0.25	0.1	0.6	G20
C26	C	OM	1.06	0.85	1.73	0.75	0.50	0.1	0.5	G21
C33	C	OM	1.14	1.31	1.36	0.50	0.25	0.3	1.1	G22
C34	C	OM	1.44	1.31	1.66	1.00	0.50	0.2	1.0	G23

## Selection – AC Operation

Size	Frame Type	Coil Type <sup>(1)</sup>	Height (inches)	Width (inches)	Length (inches)	Max. Stroke (inches)	Nominal Stroke (inches)	Typical Force (lbs)		Page
								Nominal Stroke and 100% Rated Voltage @ 100% Duty	20% Duty	
B4HD	Box	OM	1.63	1.45	2.18	1.00	0.50	1.3	5.0	G24
B11	Box	OM	1.18	0.94	1.86	1.00	0.40	0.7	1.3	G25
B20	Box	T	0.94	0.81	1.14	0.50	0.25	0.2	0.5	G26
B21	Box	T	1.31	1.31	1.20	0.63	0.25	0.9	1.6	G27
B22	Box	OM	1.47	1.31	1.61	1.00	0.40	1.2	2.6	G28
C8	C	OM	0.81	0.75	1.13	0.50	0.25	0.2	0.4	G29
C9	C	OM	1.25	1.38	1.06	0.50	0.25	1.3	2.5	G30
C15	C	T	1.00	1.06	1.14	0.50	0.25	0.6	0.8	G31
C26	C	OM	1.06	0.85	1.73	1.00	0.50	0.3	0.7	G32
C33	C	OM	1.14	1.31	1.36	0.50	0.25	0.6	1.2	G33
C34	C	OM	1.44	1.31	1.66	1.00	0.50	1.1	2.1	G34
1000	1/2" Stack	OM	1.44	1.19	1.61	0.75	0.375	2.0	3.0	G35
1000	3/4" Stack	T	1.43	1.44	1.61	0.75	0.375	2.5	4.0	G36
2000	3/4" Stack	OM	2.06	1.81	2.50	1.00	0.50	6.3	7.8	G37
2000	1" Stack	OM	2.06	2.06	2.50	1.00	0.50	9.1	11.9	G38
3000	1" Stack	OM	2.94	2.38	2.97	1.25	0.50	11.9	20.0	G39

<sup>(1)</sup> OM = Overmolded; T = Taped

All specifications subject to change without notice.

# Dormeyer® Box Frame Size B22 — DC Operation

Part Number: B22 - **XXX** - M-36

Select from performance chart below

## Specifications

Continuous Duty Cycle	100% at 20°C ambient temperature
Intermittent Duty Cycle	See below
Holding Force	8 lbs (35.6 N) at 20°C
Coil Insulation	Class "A": 105°C max. temperature standard. Other temperature classes are available
Coil Termination	3/16" QC
Plunger Weight	1.4 oz. (39.7 g)
Total Weight	7.5 oz. (212.6 g)
Dimensions	See page G42

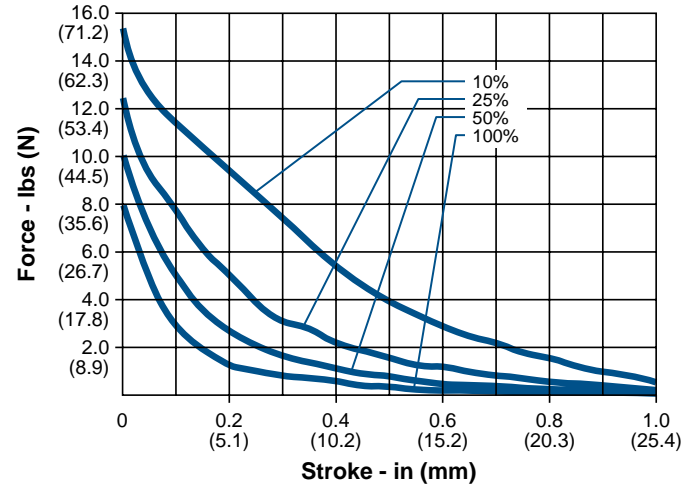
## Performance

Maximum Duty Cycle	100%	50%	25%	10%		
Maximum ON Time (sec) when pulsed continuously	∞	52	23	9		
Maximum ON Time (sec) for single pulse	∞	485	167	47		
Watts (@ 20°C)	9.9	19.8	39.6	99		
Ampere Turns (@ 20°C)	1046	1482	2093	3314		
Coil Data						
Part Number	Resistance (@20°C)	Ref # Turns	VDC (Nom)	VDC (Nom)	VDC (Nom)	VDC (Nom)
B22-255-M-36	3.64	635	6	8.5	12	19
B22-254-M-36	14.55	1300	12	17	24	38
B22-253-M-36	58.18	2578	24	34	48	76
B22-252-M-36	232.73	5103	48	68	96	152
B22-251-M-36	1493	12744	120	172	240	385

## NOTES:

- All data is typical.
- Force testing is done with the solenoid in the horizontal position.
- All data reflects operation with no heatsink.
- Magnetic latching versions available. Pull versions standard; push versions available.
- Other coil terminations available.
- All specifications subject to change without notice.

## Typical Force @ 20°C



## How to Order

Select the part number from the table provided. (For example, to order a 25% duty cycle unit rated at 48 VDC, specify B22-255-M-36.

Please see [www.ledex.com](http://www.ledex.com) (click on Stock Products tab) for our list of stock products available through our North American distributors.

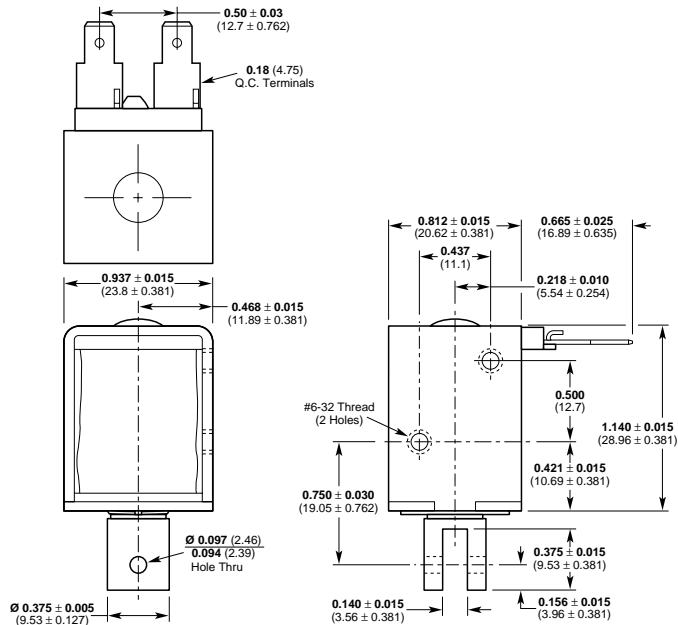
# Dormeyer® Box Frame Dimensions

Inches (mm)

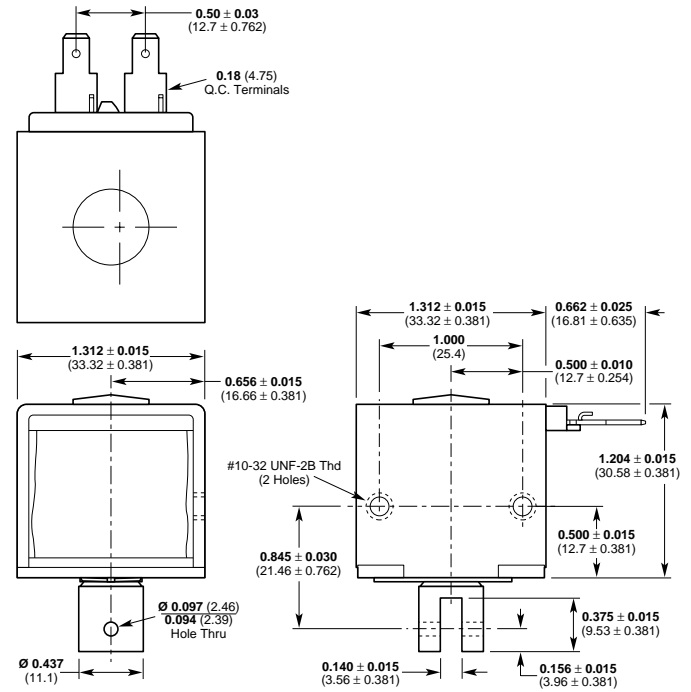
All solenoids are illustrated in energized state

All specifications subject to change without notice.

## B20



## B21



LINEAR Open Frame

## B22

